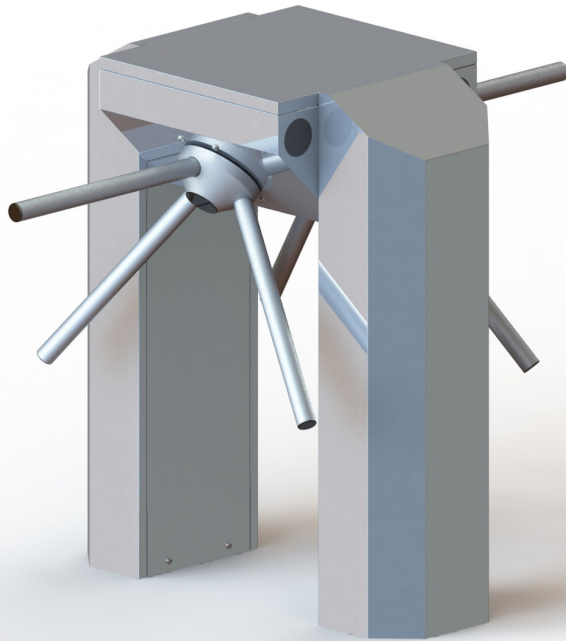


TRIPOD TURNSTILE WR-262-D



BODY ARM	External water protected body 1.2 mm 304 stainless steel Can be disassembled and mounted individually 35x3 mm aluminum arm /Ops. Stainless steel
WEIGHT	~ 55 kg
INDICATORSE ENERGY	Orientation indicators are available as standard. 176-264 V 50 Hz AC/24V DC Standby ~30 W. max. ~60 W at Transition.
OPERATING TEMPERATURE	- 20 / + 60 °C
ACCESSORIES	Automatic Falling Arm/ Remote control transceiver unit/ Button Control Box/ Counter/ Card Reader/ Leakage Photocell
DIMENSIONS	300 x 850 x 980 mm

This product, which is created by adding visual differences, is double-sided.

